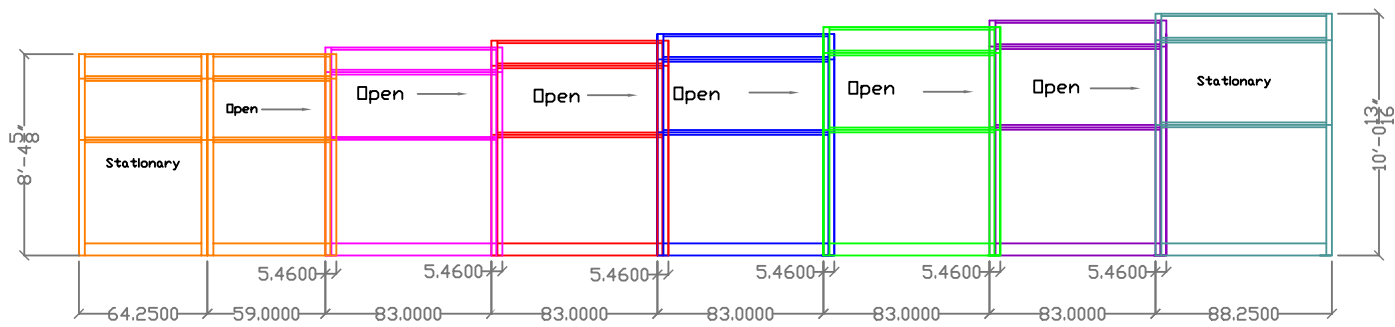
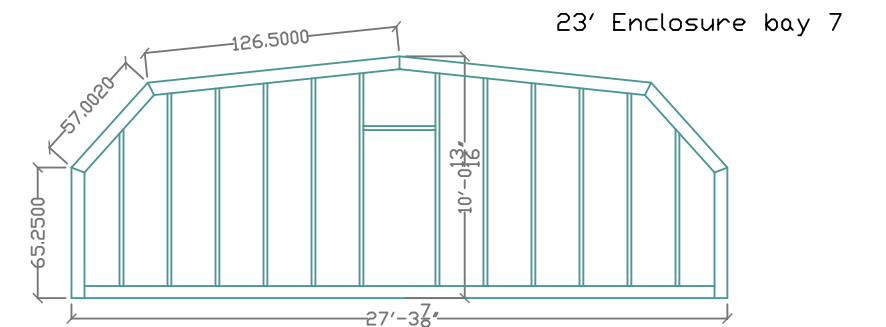
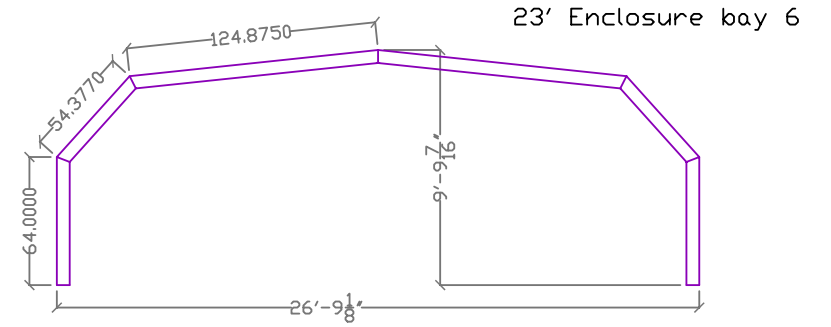
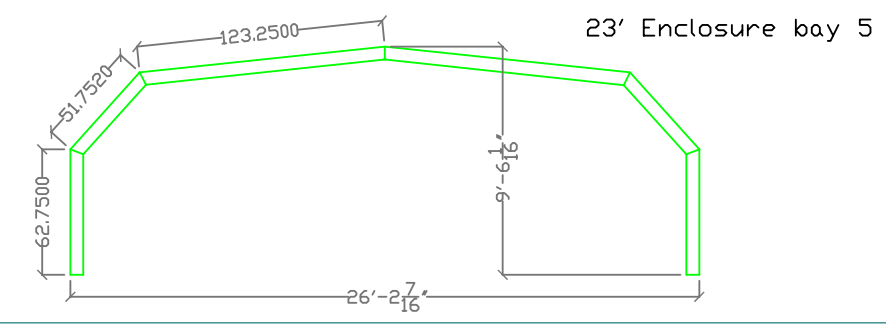
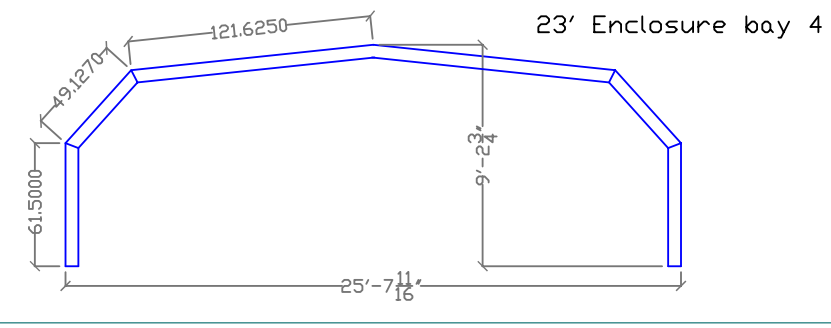
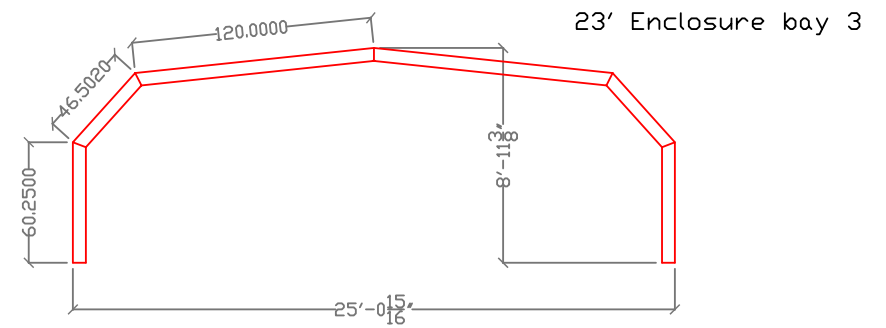
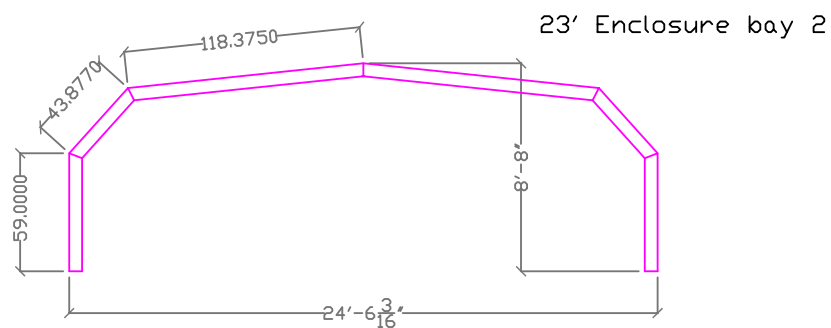
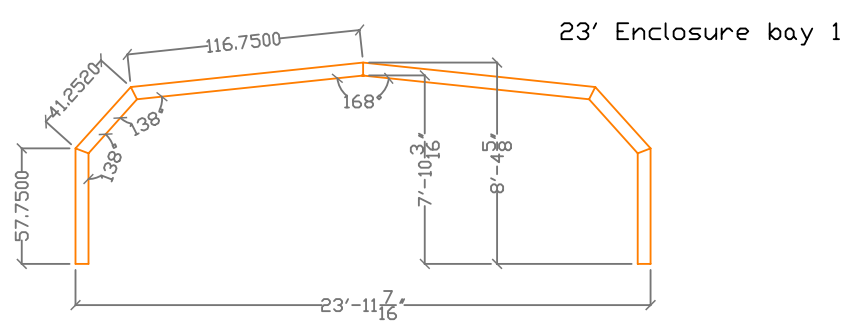
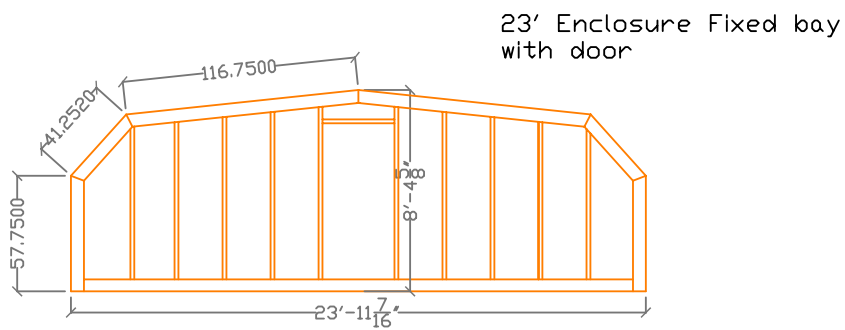


Top View



Side Elevation



**Roll-A-Cover**  
 36 Sargent Drive  
 Bethany, CT 06524  
 Tel: 203-393-7292  
 Fax: 203-393-7298  
 www.Roll-A-Cover.com

Job Title:  
 Drawing Name: 23'x5' 8-Bay Enclosure  
 Model # 8SP17-238

Date: 6-25-03  
 Scale: 1/8"=1'

Contact Person